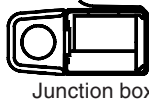
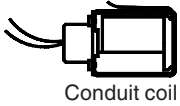
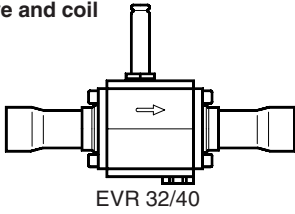


EVR 32/40

032R9524

032R9524

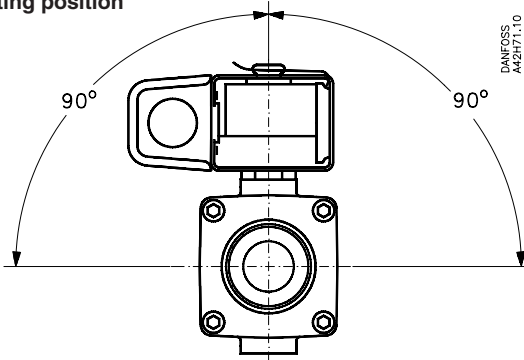
Valve and coil



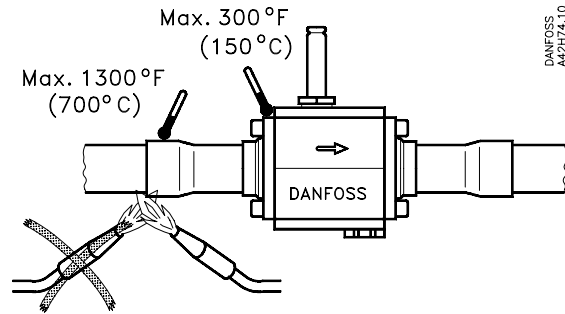
Operating conditions

Max. working pressure (MWP)	EVR 32/40: 400 psig (28 bar p _e)		
Max. test pressure	650 psig (45 bar p _e)		
Max. opening diff. pressure (MOPD)		AC	DC
	EVR 32 - 40	350 psig (24 bar p _e)	205 psig (14 bar p _e)
Refrigerant temperature	max.	220°F (105°C)	
	min.	-40°F (-40°C)	
Ambient temperature	max.	120°F (50°C)	
	min.	-40°F (-40°C)	

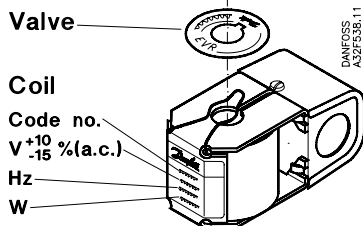
Mounting position



Soldering of copper connections



Identification of coil and valve



Caution

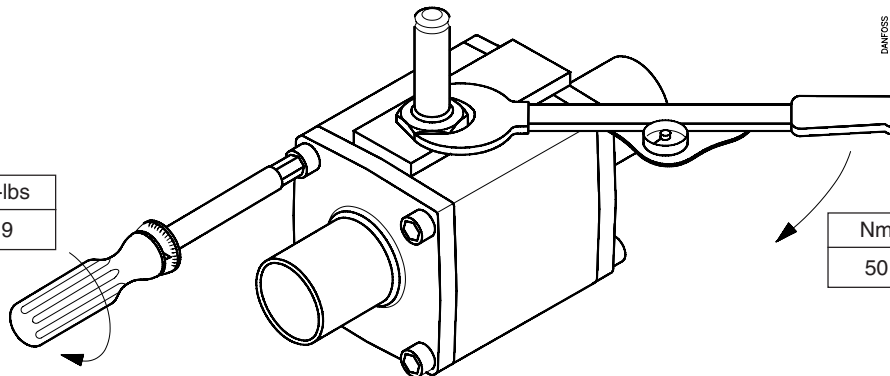
Wiring and fusing (when used) must comply with prevailing local and national wiring codes and ordinances.

Transformer selection

Coil	Inrush [Volt-Amp]	Holding	
		[W]	[Volt-Amp]
208-240 V 50-60 Hz	76	17.5	40
110-120 V 50-60 Hz	76	17.5	40
24 V 60 Hz	76	17.5	40
120/208 V 50-60 Hz	76	17.5	40
120 V DC		23.0	

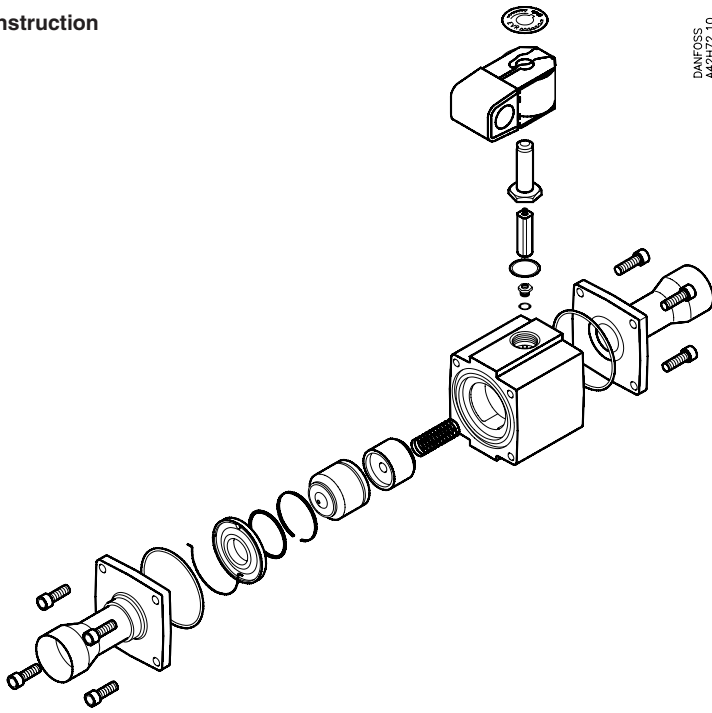
Tightening torques

Nm	kpm	ft-lbs
12	1.2	9



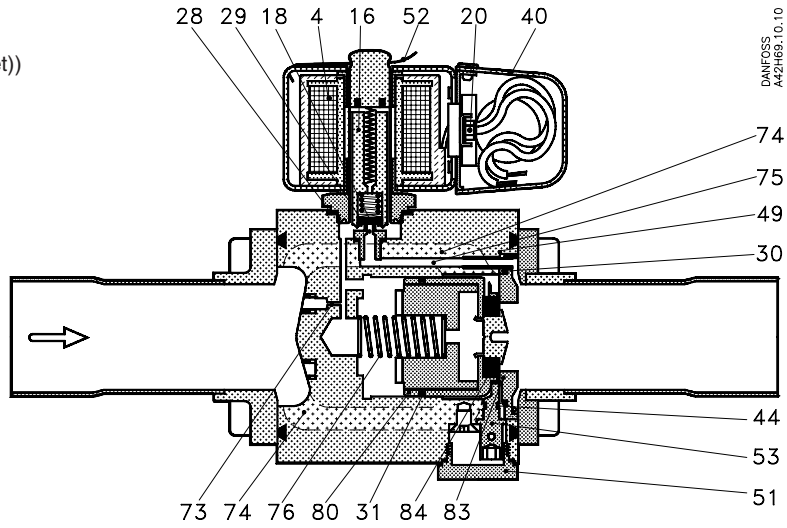
Nm	kpm	ft-lbs
50	5.0	37.5

Valve and coil construction



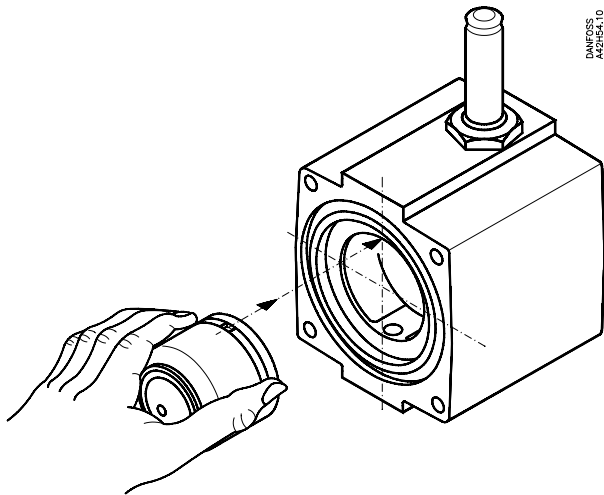
DANFOSS
A42H72.10

Cut-away
(Position numbers:
see Danfoss Technical Leaflet))



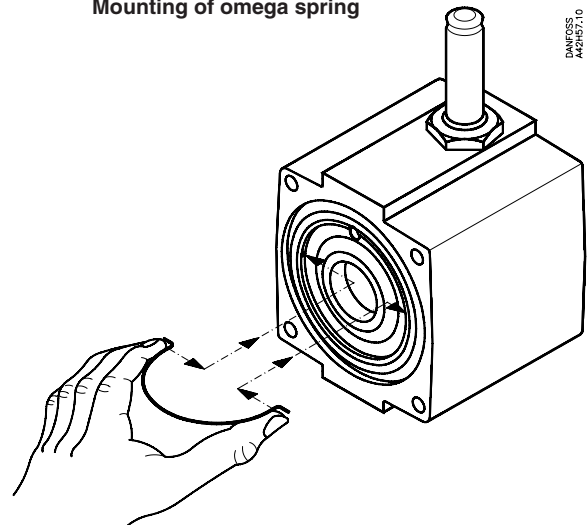
DANFOSS
A42H65.10.10

Mounting of piston



DANFOSS
A42H54.10

Mounting of omega spring



DANFOSS
A42H57.10